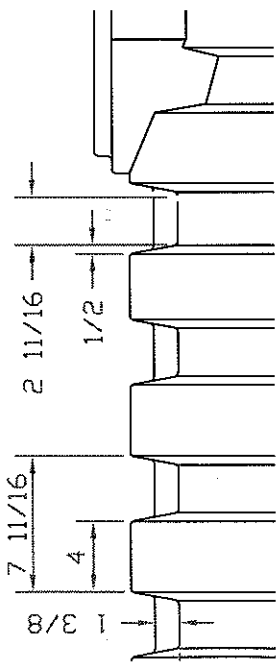
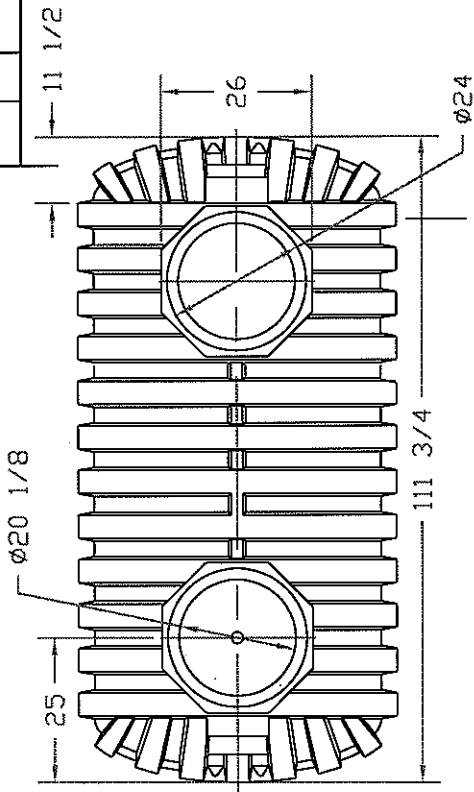


ZONE		REV	DESCRIPTION	DATE	APPROVED

REVISIONS	

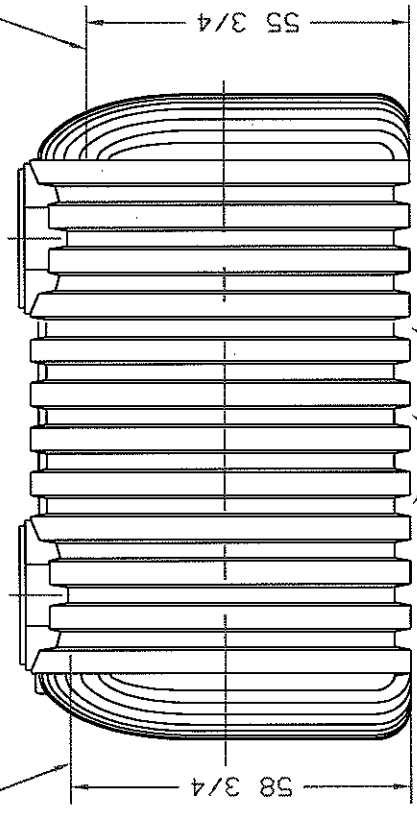
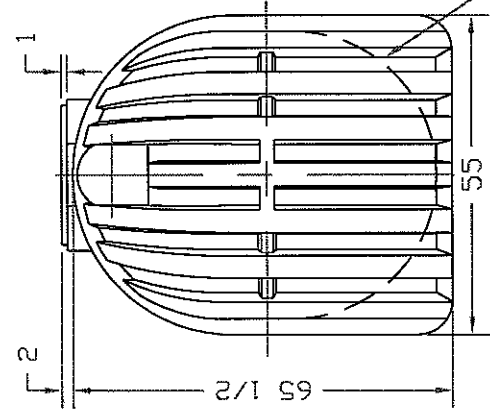


RIB DIMENSIONS
1/8 SCALE



INLET CENTERLINE

OUTLET CENTERLINE



NORWESCO
ST. BONIFACIUS, MN

1250 GALLON SEPTIC TANK

JTP	30JUN00	SIZE	FSCM NO.	DWG NO.	REV
		B			
SCALE 1/24				SHEET	