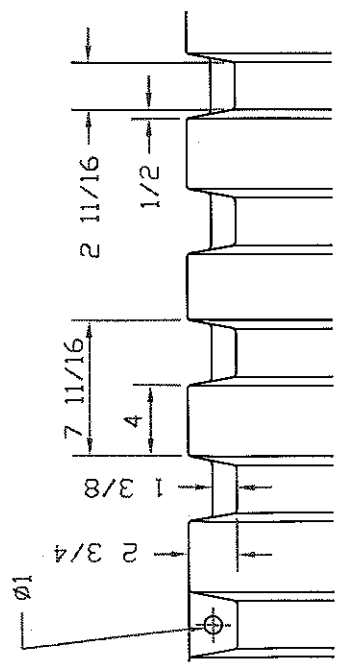
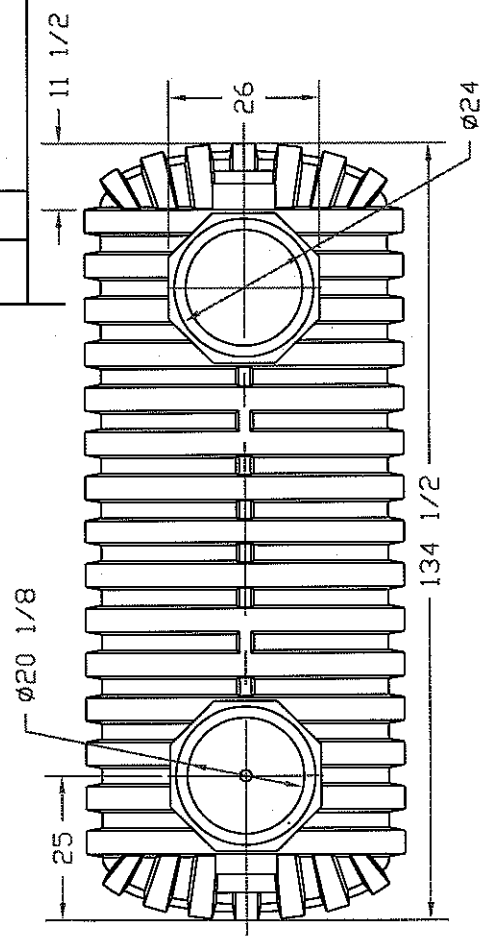


REVISIONS		DATE	APPROVED
ZONE	REV	DESCRIPTION	

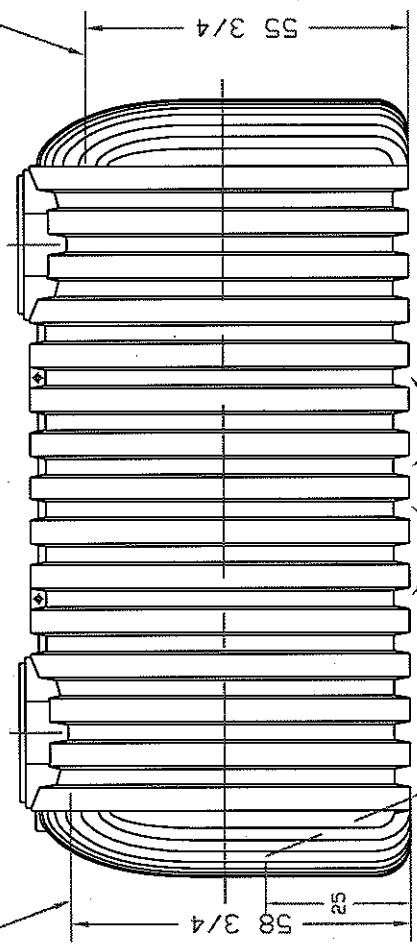
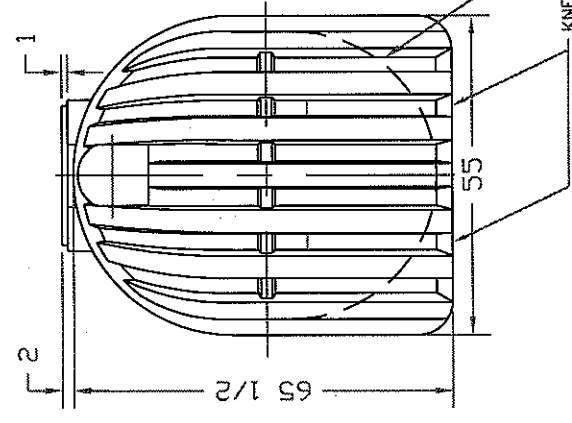


RIB DIMENSIONS
1/8 SCALE



OUTLET CENTERLINE

INLET CENTERLINE



NORWESCO
ST. BONIFACIUS, MN

1500 GALLON SEPTIC TANK

JTP	18MAY00	SIZE B	FSCM NO.	DWG NO.	REV
			SCALE 1/24		SHEET