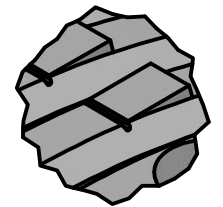
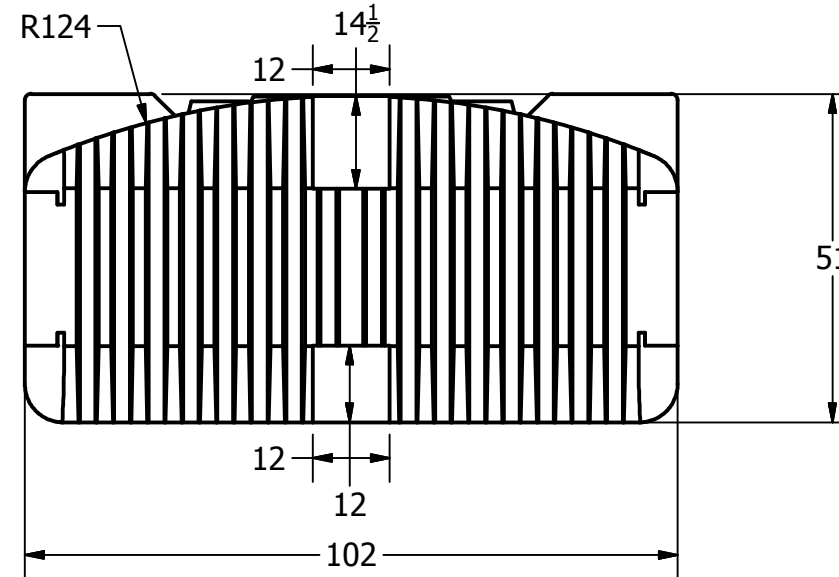
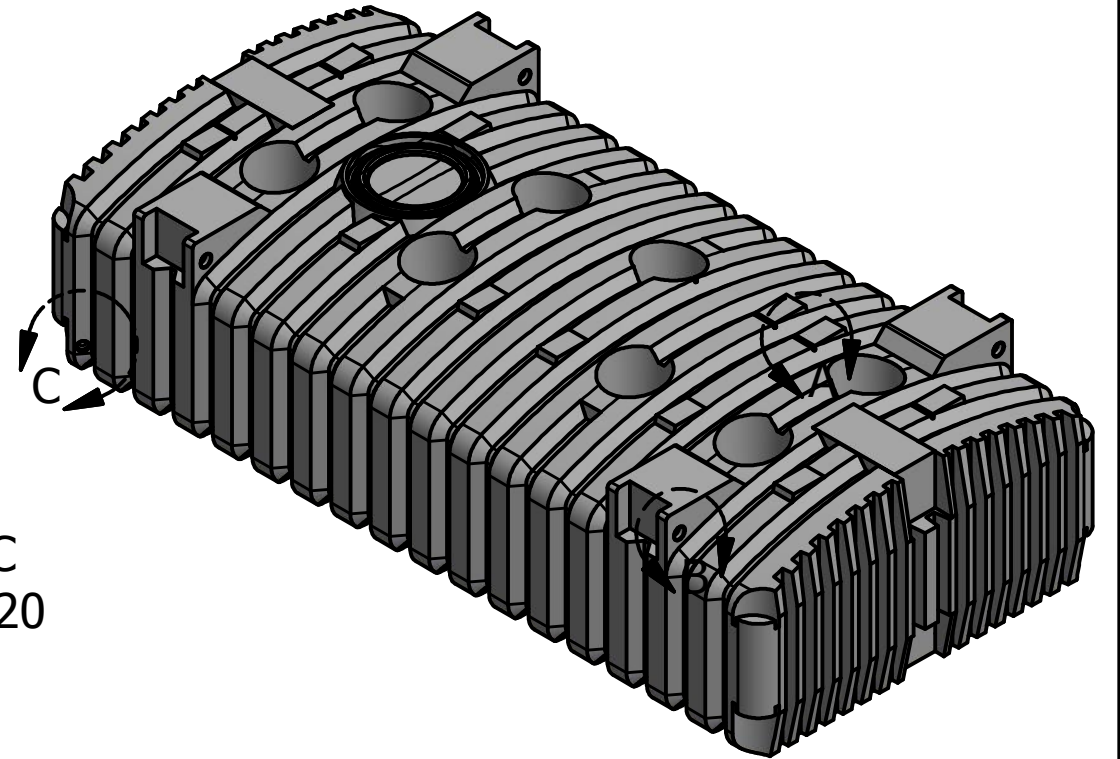



DETAIL B SCALE 1 / 20 DETAIL C SCALE 1 / 20



DETAIL A SCALE 1 / 20

DRAWN Todd Bolzer	7/14/2014		
CHECKED		NORWESCO, INC. SAINT BONIFACIUS, MN	
QA		TITLE	
MFG		3525 UNDERGROUND HOLDING TANK	
APPROVED		SIZE B	REV
		DWG NO 44390	
		SCALE: 1/16	SHEET 1 OF 1