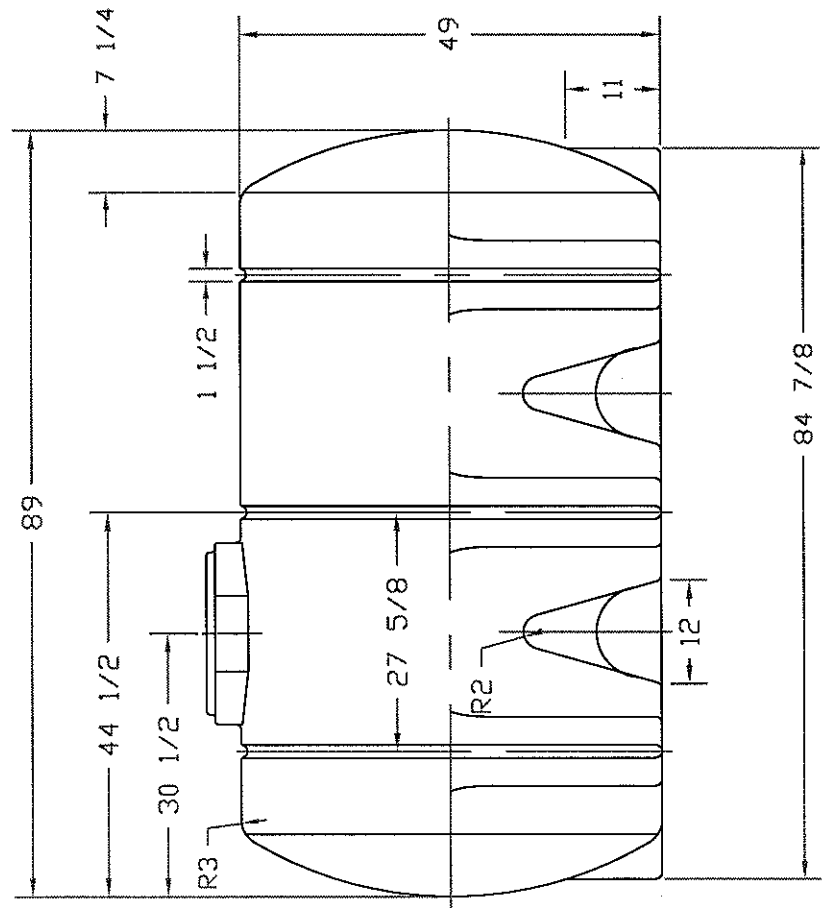
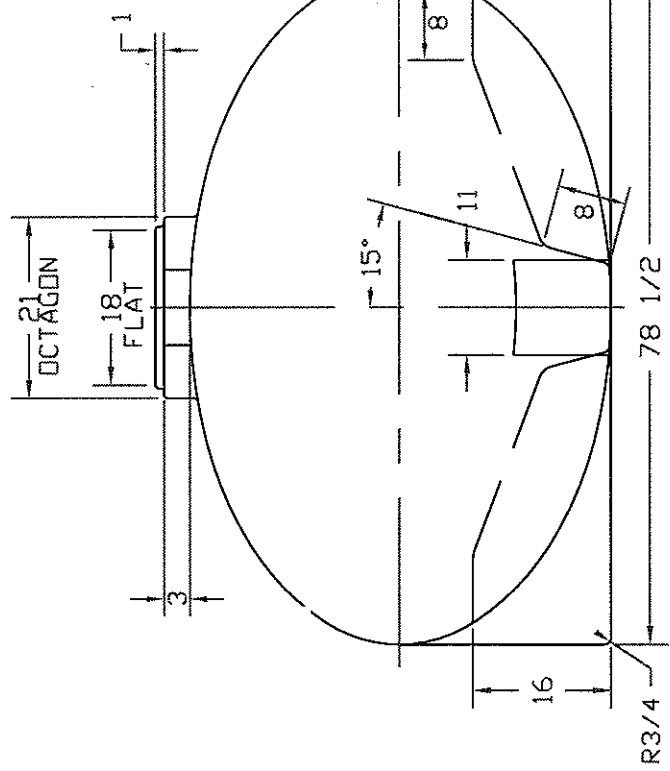
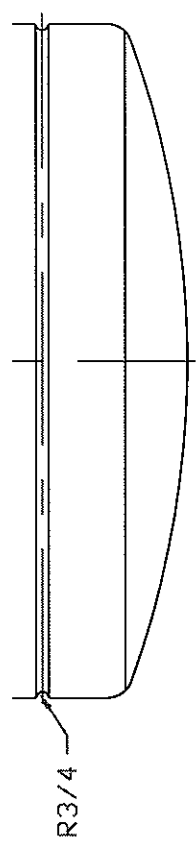


REVISIONS			
ZONE	REV	DESCRIPTION	DATE
	E	RE DRAWN	25 JUN 97
	F	SPARGER FLATS REVISED	23 OCT 98
	G	SPARGER FLATS RMVD.	07 MAR 01



**NORWESCO**  
 ST. BONIFACIUS, MN  
 1035 GALLON ELLIPTICAL  
 LEG TANK

JTP	25JUN97	SIZE B	FSCM NO.	DWG NO.	REV G
SCALE 1/16				SHEET	